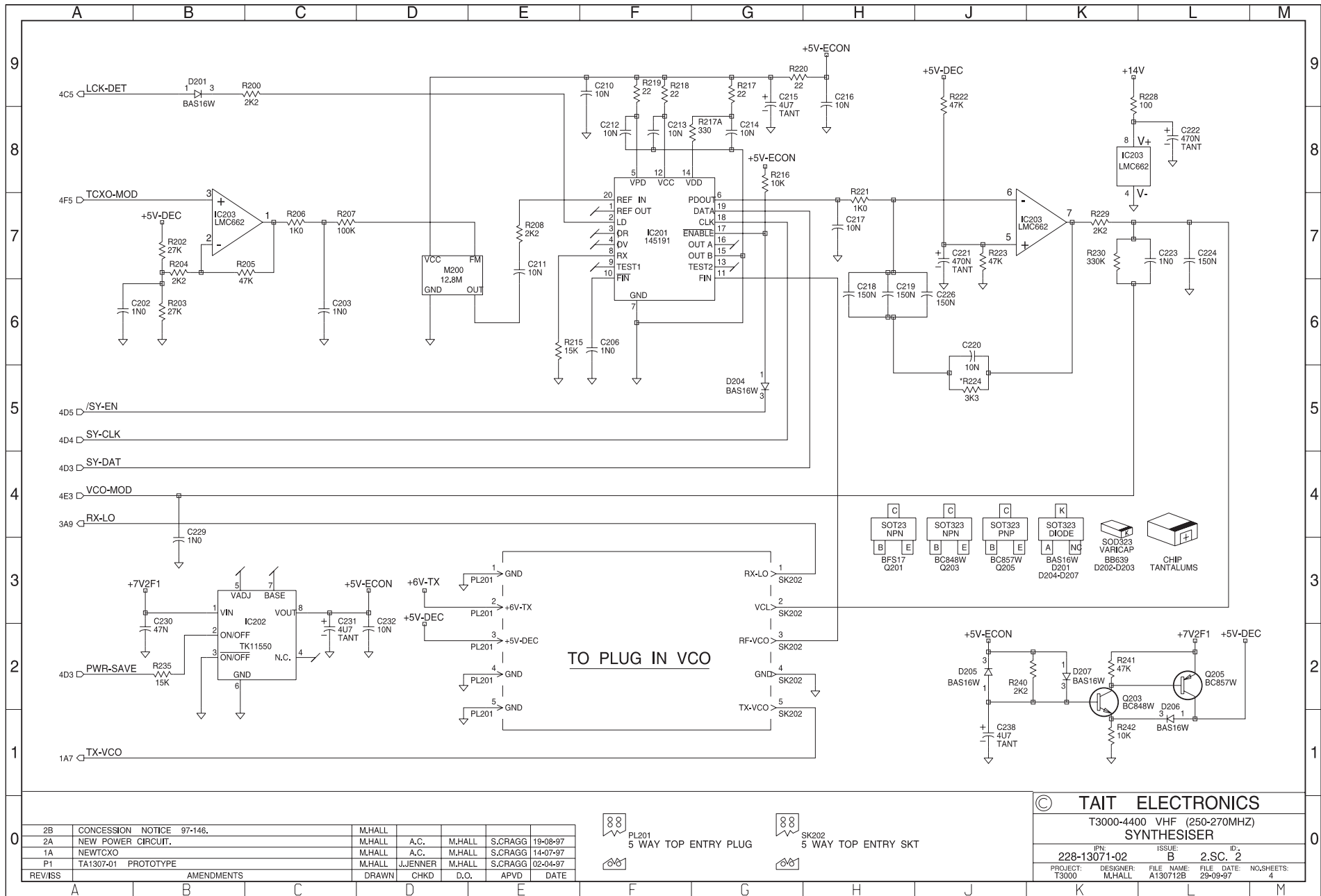


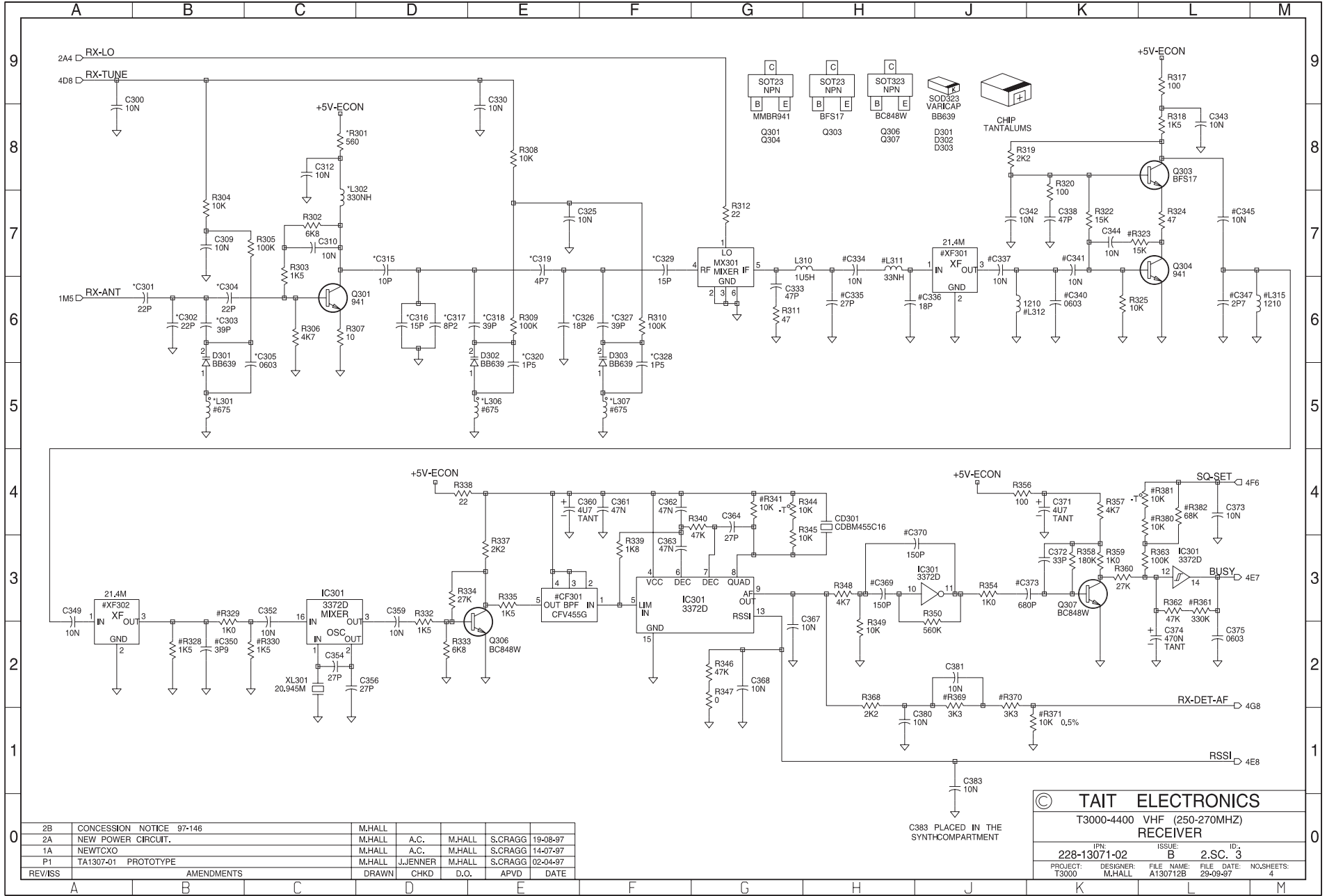
2B CONCESSION NOTICE 97-146. 2A ADDED POWER CIRCUIT. 1A NEWTCXO P1 TA1307-01 PROTOTYPE REVISS AMENDMENTS						M.HALL M.HALL M.HALL M.HALL M.HALL		A.C. A.C. J.JENNER CHKD D.O.		S.CRAGG S.CRAGG S.CRAGG S.CRAGG S.CRAGG		19-08-97 14-07-97 02-04-97 APVD DATE	
A	B	C	D	E	F	G	H	J	K	L	M		

© TAIT ELECTRONICS
 T3000-4400 VHF (250-270MHZ)
 POWER AMPLIFIER

IPN: 228-13071-02
 ISSUE: B
 ID: 2.S.C. 1

PROJECT: T3000 DESIGNER: M.HALL FILE NAME: A130712B FILE DATE: 29-09-97 NO.SHEETS: 4





2B	CONCESSION NOTICE 97-146	M.HALL				
2A	NEW POWER CIRCUIT.	M.HALL	A.C.	M.HALL	S.CRAGG	19-08-97
1A	NEWTXCO	M.HALL	A.C.	M.HALL	S.CRAGG	14-07-97
P1	TA1307-01 PROTOTYPE	M.HALL	J.JENNER	M.HALL	S.CRAGG	02-04-97
REV/ISS	AMENDMENTS	DRAWN	CHKD	D.O.	APVD	DATE

© TAIT ELECTRONICS			
T3000-4400 VHF (250-270MHZ)			
RECEIVER			
IPN: 228-13071-02	ISSUE: B	ID: 2.S.C. 3	
PROJECT: T3000	DESIGNER: M.HALL	FILE NAME: A130712B	FILE DATE: 23-09-97
			NO.SHEETS: 4

